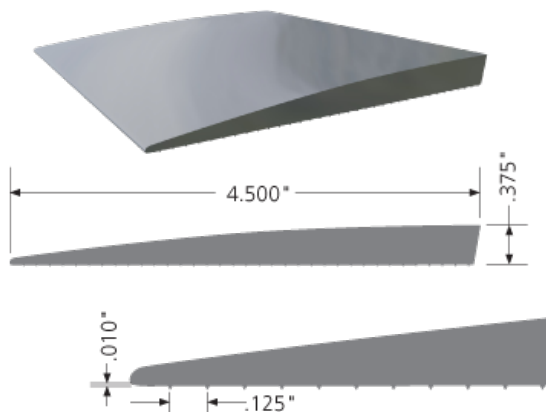


TECHNICAL DATA

ASTM E84 - Surface Burning	Class A
ASTM E648 (NFPA 253) - Critical Radiant Flux	Class 1, $\geq 0.45 \text{ W/cm}^2$
ASTM E662 (NFPA 258) - Smoke Density	Passes, ≤ 450
Acclimation Time	48 Hours, see installation instructions for details
Service & Storage Temperature	65° - 85° F, see installation instructions for details
Sustainability Information	Contributes to LEED v4/4.1 Meets CA 01350 Requirements FloorScore Certification*
Warranty	1 Year Commercial, see warranty document for details
Recommended Adhesives	Excelsior EN-610, Epoxy Nose Filler Excelsior C-630, Contact Adhesive Excelsior U-705, Urethane Wet-Set
Adhesives Not Recommended	Pressure Sensitive and Tapes can allow the material to shrink if stretched during installation
Technical Support	solutions@rhctechnical.com
Product Support	support@procedoflooring.com
Technical Documentation	www.procedoflooring.com

PRODUCT DESCRIPTION

Reducer is designed to reduce tile edges of .375" to nothing.



Attach color submittal sample here