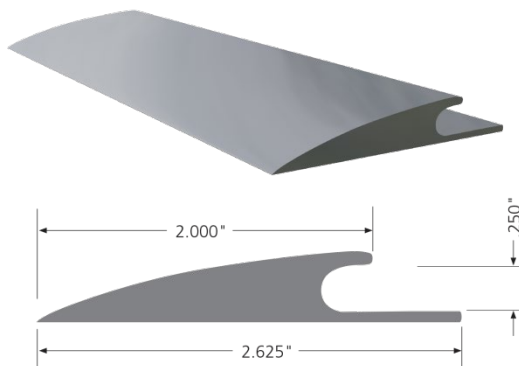


## TECHNICAL DATA

<b>ASTM E84 - Surface Burning</b>	Class A
<b>ASTM E648 (NFPA 253) - Critical Radiant Flux</b>	Class 1, $\geq 0.45 \text{ W/cm}^2$
<b>ASTM E662 (NFPA 258) - Smoke Density</b>	Passes, $\leq 450$
<b>Acclimation Time</b>	48 Hours, see installation instructions for details
<b>Service &amp; Storage Temperature</b>	65° - 85° F, see installation instructions for details
<b>Sustainability Information</b>	Contributes to LEED v4/4.1 Meets CA 01350 Requirements FloorScore Certification*
<b>Warranty</b>	1 Year Commercial, see warranty document for details
<b>Recommended Adhesives</b>	Excelsior EN-610, Epoxy Nose Filler Excelsior C-630, Contact Adhesive Excelsior U-705, Urethane Wet-Set
<b>Adhesives Not Recommended</b>	Pressure Sensitive and Tapes can allow the material to shrink if stretched during installation
<b>Technical Support</b>	<a href="mailto:solutions@rhctechnical.com">solutions@rhctechnical.com</a>
<b>Product Support</b>	<a href="mailto:support@procedoflooring.com">support@procedoflooring.com</a>
<b>Technical Documentation</b>	<a href="http://www.procedoflooring.com">www.procedoflooring.com</a>

## PRODUCT DESCRIPTION

Edge guard is available with an undercut opening designed for 5mm flooring products or 4mm-5mm carpet edges.



Attach color submittal sample here